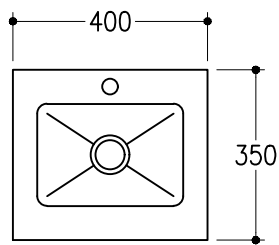
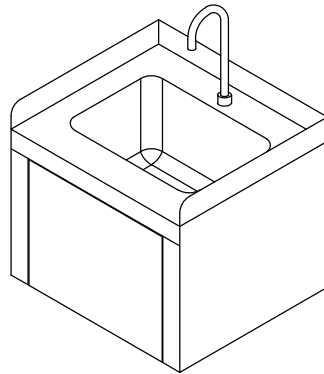
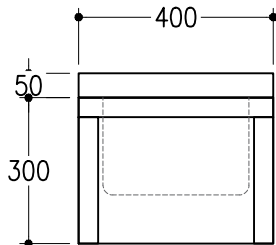


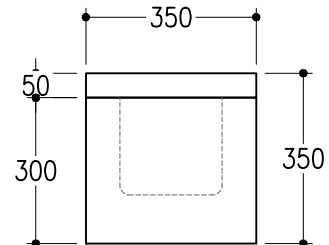
HAND SINK



TOP VIEW



FRONT VIEW



SIDE VIEW

DESCRIPTION

Code Item

HS-40

Main Function

Elevate hygiene and convenience in your kitchen with our Hand Sink. This item is equipped with panel buttons on the body to spray it's water. Keeping your staff 's hygiene just got so much easier.

**Dimension in mm
(W x D x H)**

400 x 350 x 300/350

Net Weight

8.6 Kg

Capacity

14 L

Features

Hand Washing Capacity, Wall Hung