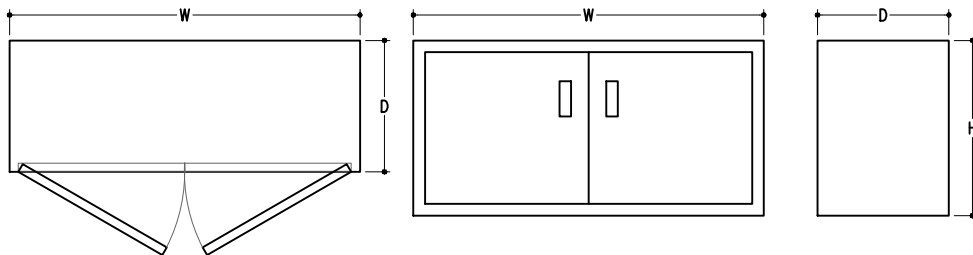
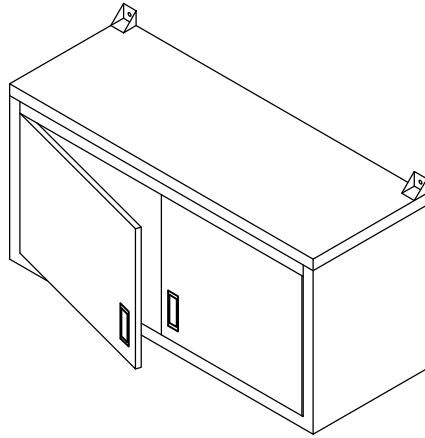


WALL CABINET SERIES



TOP VIEW

FRONT VIEW

SIDE VIEW

DESCRIPTION

Code Item	CSW-12-W	CSW-15-W
Main Function	Focus your space to the maximum of potential by using our wall cabinet. These products made with highest quality of rustproof iron, mount them on your wall and have a great work flow everyday.	
Dimension in mm (W x D x H)	1200 x 450 x 600	1500 x 450 x 600
Net Weight	31.65 Kg	39 Kg
Capacity	170 L	210 L
Features	Cabinet Storage, Swing Doors, Lock	