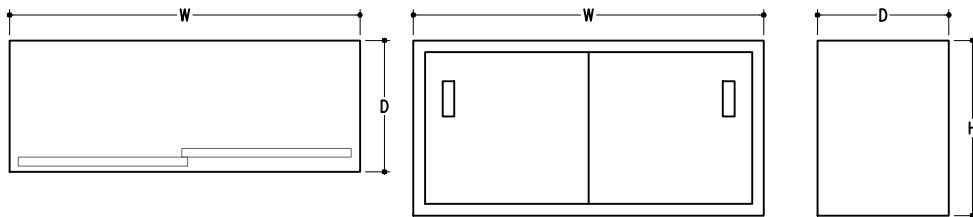
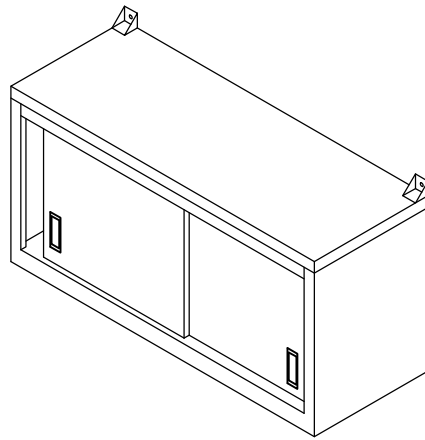


WALL CABINET SERIES



TOP VIEW

FRONT VIEW

SIDE VIEW

DESCRIPTION

Code Item

CSL-12-W

CSL-15-W

Main Function

Focus your space to the maximum of potential by using our wall cabinet. These products made with highest quality of rustproof iron, mount them on your wall and have a great work flow everyday.

**Dimension in mm
(W x D x H)**

1200 x 450 x 600

1500 x 450 x 600

Net Weight

31.65 Kg

39 Kg

Capacity

170 L

210 L

Features

Cabinet Storage, Sliding Doors, Lock